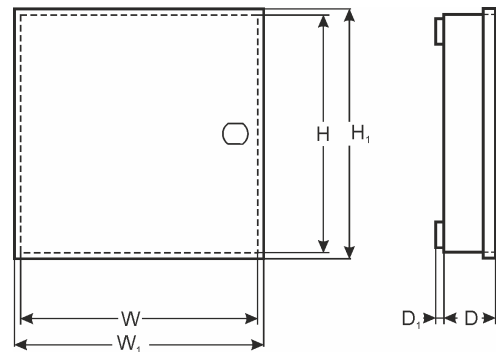


CODE: **AWO009 v1.0/III**
 NAME: **7/TRP40/DSPR/S**



DESTINATION

DSC: PC 1616, 1832, 1864

MODULES: 2x (4108, 5108, 5208, 5100, 4116)
 4204, 4216, 4580, 5400, 5204, 5580, 5200

PARADOX: 728ULT, E55, E65, SP4000, SP5500, SP6000, SP7000, EVO48, EVO192

MODULES: ZX8, APR3- HUB2, ZX8SP, APR3- ADM2, PGM4

RISCO: PRO24

MODULES: E04, EZ8, EZ16

SATEL: CA4V1, CA5, CA6, CA10, VERSA5, 10, 15, INTEGRA 24, 32

MODULES: CA64 (PP, EPS, ADR, O-R, O-ROC, O-OC, OPS- OC, OPS- R, OPS- ROC, VGM- 16, SR, PTSA)

PYRONIX: MATRIX 424, 6

CROW: RUNNER 4,8

TELMOR: TCA- 824

SUMMIT: PENTA

ROEL: SIGMA 6,12, CERBER

EBS: PX 202A

TECHNICAL DATA

External dimensions of the enclosure:	W=250, H=250, D+D ₁ =80+8 [±2 mm]
External dimensions of the front panel:	W ₁ =255, H ₁ =255 [±2 mm]
Weight net/gross:	2,40kg/ 2,55kg [±0,1kg]
Battery space:	7Ah/12V Sealed Lead Acid (SLA)
Transformer:	TRP 40VA/16V/18V in the case of PC/ABC in class UL94-V0, IP30
Power supply	230V/AC (-15%/+10%), 50Hz, 200mA (max.)
Power supply output:	U ₁ =16V/AC or U ₂ =18V/AC (-5%, +15%), I ₁ =2,2A or I ₂ =2,0A (max.)
Operating environment:	class II , -10°C+ 40°C
Material description:	sheet steel DC01, thickness: 0,7mm, protection anticorrosion, color: RAL 9003
Destination:	indoor
Tamper protection:	1 x microswitch: opening, 0,5A@50V/DC max. NC
Closing:	screwed x 4
Notes:	optional: lockable, distance from wall (mounting surface) - 8mm, easy door removal
Declaration, warranty:	CE, 2 year from the production date